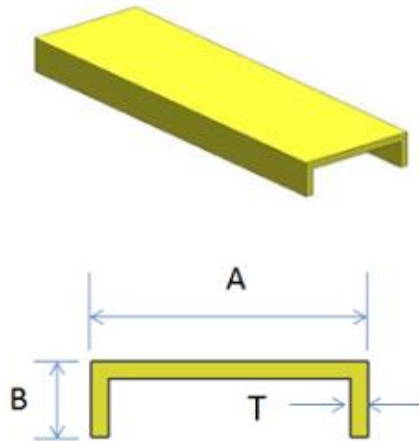


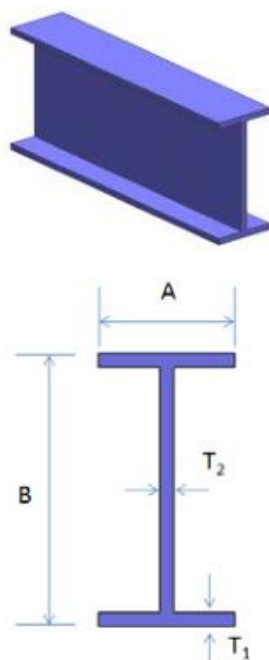
ZeAllGrate Structural Shapes & Size

FRP Channel



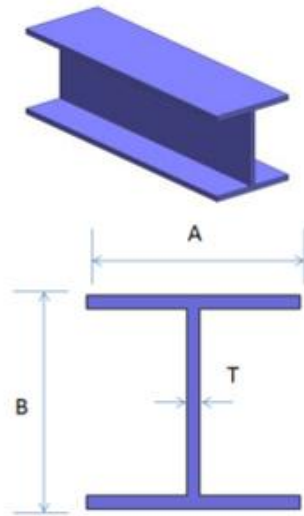
A	B	T (mm)
50	14	3.2
59	25	4.0
76	22	6.4
76	38	6.4
101	35	5.0
101	41	6.4
101	44	6.4
102	44	6.4
120	25	5.0
120	30	5.0
120	40	5.0
152	42	6.4
152	42	9.5
203	56	9.5
210	55	5.0
210	80	5.0

FRP I Beam



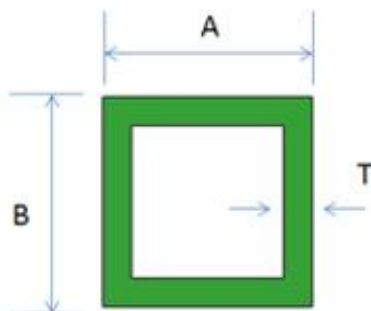
A	B	T1	T2 (mm)
15	25	4.0	6.4
15	32	4.0	6.4
15	38	4.0	6.4
38	76	6.4	6.4
15	44.5	4.0	6.4
50	101	6.4	6.4
76	152	6.4	6.4
76	152	9.5	9.5
102	203	12.7	12.7
115	457	9.5	12.7
127	254	9.5	9.5
127	254	12.7	12.7
152	305	5	10

FRP Wide Flange Beam



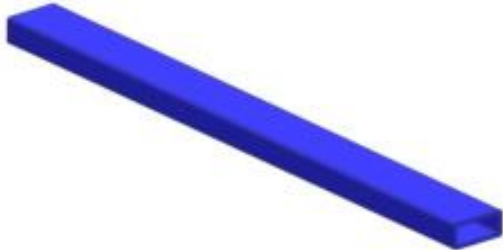

A	B	T (mm)
76	76	6.4
101	101	6.4
152	152	6.4
152	152	9.5
203	203	9.5
203	203	12.7
254	254	9.5
254	254	12.7
305	305	12.7

FRP Square Tube




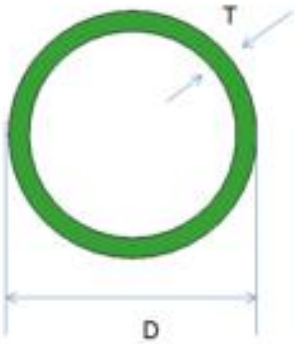
A	B	T (mm)
19	19	3.2
20	20	4.0
25	25	3.2
25	25	6.4
32	32	6.4
38	38	3.2
38	38	6.4
44	44	3.2
44	44	6.4
50	50	3.2
50	50	4.0
50	50	4.8
50	50	6.4
54	54	4.8
60	60	4.0
64	64	3.2
64	64	6.4
76	76	3.2
76	76	5.0
76	76	6.4
100	100	5.0
101	101	3.2
101	101	6.4
101	101	12.7
125	125	10.0

FRP Rectangular Tube

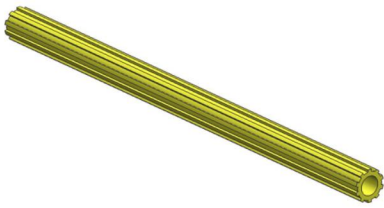
A	B	T (mm)
38	25	4.75
40	20	4.5
50	38	4
50	20	6.4
50	25	3.2
57	25	3.2
50	38	6.4
76	38	4.75
91	38	4.0
186	32	4.75
197	44.3	5.0
50.8	25.4	6.4
76	25	4.76

FRP Round Tube

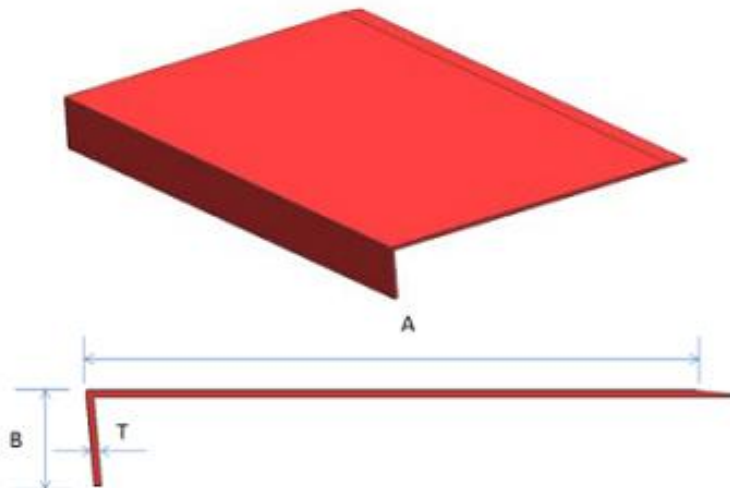
D	T (mm)
25	6.4
19	2.5
25	3.2
30.5	3.2
32	3.2
32	6.4
38	3.2
38	6.4
42	6.4
44	6.4
50	4
50	6.4
76	6.4
101	6.4
114	3.2
132.6	7.55

FRP Flute Tube



Normal Size/Customized Size
Available

FRP Stair Tread Cover



A B T (mm)

30x70x4

55x55x4

65x10x4

105x25x3

150x20x5

200x20x5

220x55x4

250x55x4

280x55x4

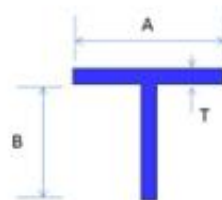
305x55x3

345x55x4

345x75x9.35

1220x55x4

FRP T Shape



A B T (mm)

54x43x5.0

54x25x5.0

54x32x5.0

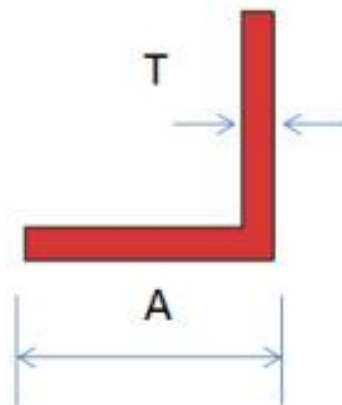
54x32x6.4

54x40x6.0

60x45x6.0

60x50x5.0

FRP Equal Angle



A T (mm)

25x3.2

25x6.4

29x3.2

38x3.2

38x6.4

38x4.8

50x3.2

50x6.4

50x4.8

76x6.4

76x9.5

76x12.7

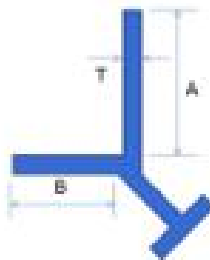
101x6.4

101x9.5

101x12.7

152x6.4

FRP Embedded Angle



A B T (mm)

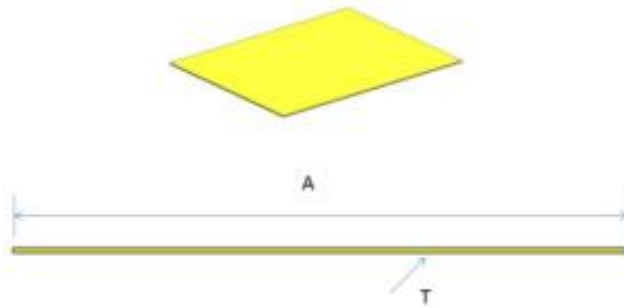
25x38x6.4

38x38x6.4

50x38x6.4

76x64x6.4

FRP Flat Sheet



A T (mm)

596x5.0

610x9.5

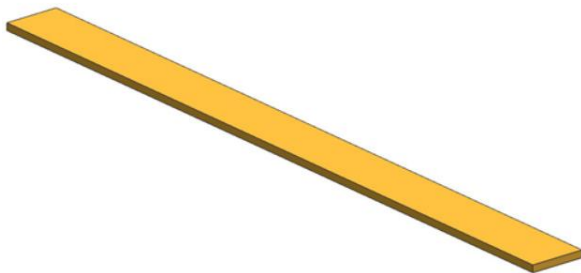
640x5.0

1220x5.0

1220x9.5

1220x12.7

FRP Flat Strip



10x2.5

12x8

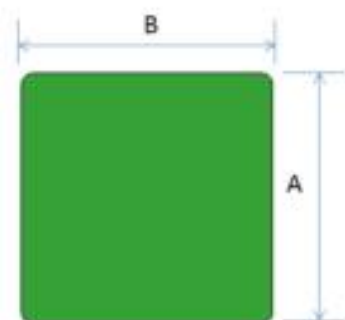
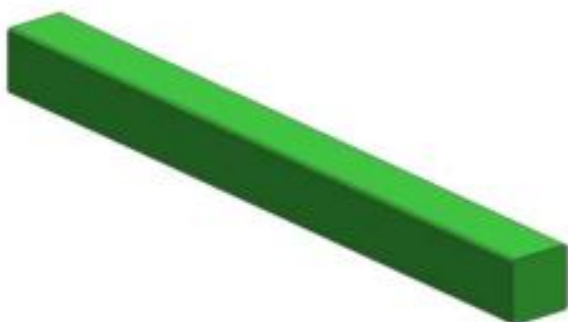
15x2.5

19x6.4

38x5.0

50x3.0

FRP Square Solid Bar



19x19

20x20

25x25

32x32

38x38

44x44

50x50

64x64

76x76

12.7x12.7

Rectangular solid rod



15x50

25x50

25x100

16x28

40x60

FRP Round Solid Rod



mm

9.5

6.4

12.7

20

25.4

31.8

38.0

50

8

14

19

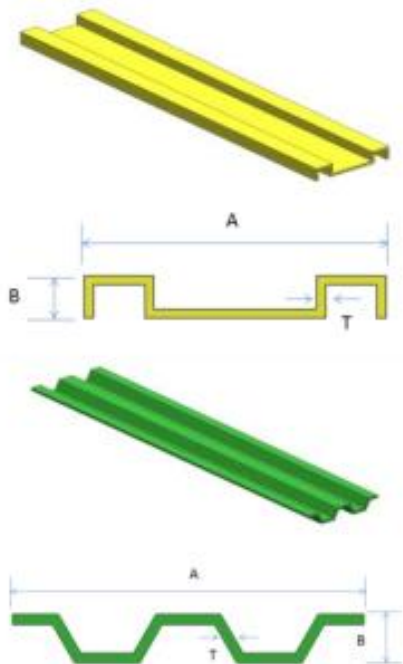
42

44

20

76

FRP Kick Plate



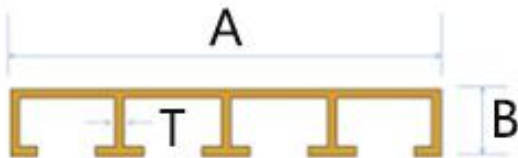
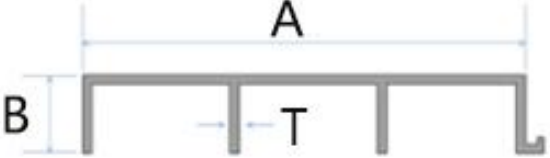
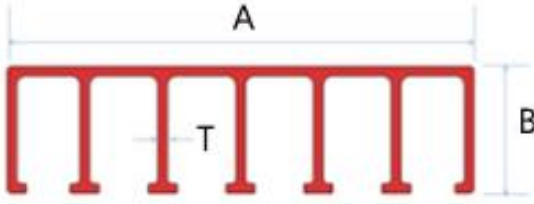
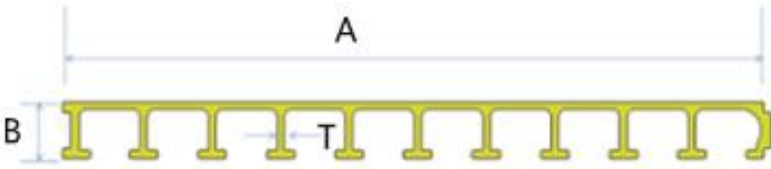
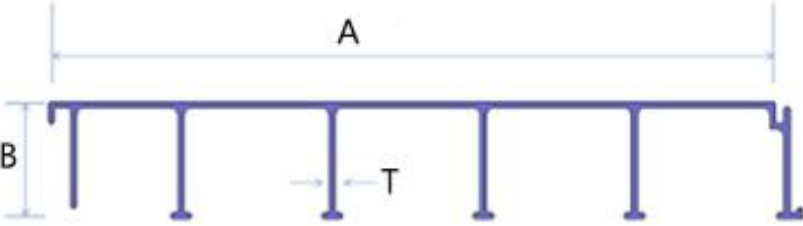

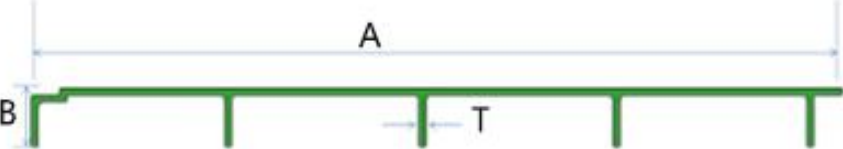
M

100x14x3

W

150X14X3

FRP Deacking Plank

	A	B	T (mm)
			305x47.5x6.4
			305x54x5
			305x83x6.4
			500x40x5
			500x80x4
			610x28x5
			702x50x6